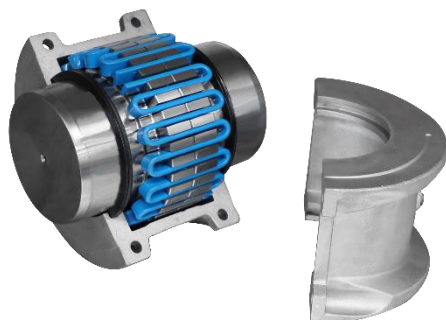




GR Series Horizontal Grid Couplings



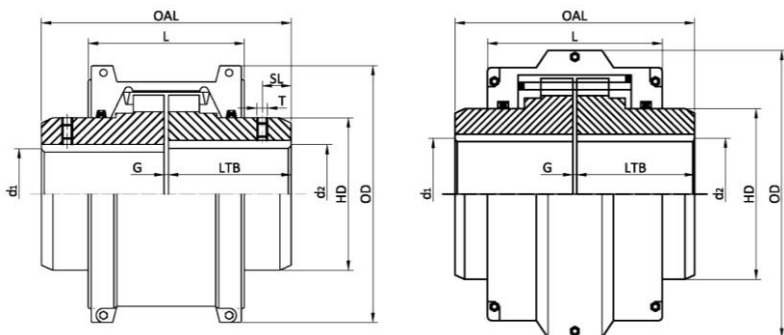
GR Series Horizontal Grid Couplings

- Designed for ease of maintenance and grid spring replacement
- High tensile grid springs ensure superior coupling performance and longer coupling life
- Split covers allow for easy access to grid springs
- Interchangeable with industry standard grid couplings

Size	Nominal Torque ¹		Maximum Speed Horizontal RPM	d1 - d2				SL ²	T	Weight Solid		Moment of Inertia	
	in-lbs	Nm		Min Bore		Max Bore		Set Screw		lbs	kg	Solid Hubs	
			in	mm	in	mm	Location in	Size in	Horizontal WR ² lb-in ²			Vertical WR ² lb-in ²	
1020	460	52	4,500	0.500	13	1.125	28	0.34	M8-32	4.3	2.0	4.83	5.32
1030	1,320	149	4,500	0.500	13	1.375	35	0.34	M8-32	5.7	2.6	7.61	7.99
1040	2,200	249	4,500	0.500	13	1.625	43	0.42	M10-24	7.4	3.4	11.19	11.99
1050	3,850	435	4,500	0.500	13	1.875	50	0.62	M10-24	12.0	5.4	24.85	25.76
1060	6,050	684	4,350	0.750	20	2.125	56	0.44	M10-24	16.0	7.3	40.66	41.16
1070	8,800	994	4,125	0.750	20	2.500	67	0.88	1/4-20	23.0	10.4	63.18	61.68
1080	18,150	2 050	3,600	1.062	27	3.000	80	0.96	1/4-20	39.0	17.7	154.00	148.00
1090	33,000	3 730	3,600	1.062	27	3.500	95	1.06	5/16-18	56.0	25.4	269.00	272.00
1100	55,550	6 280	2,400	1.625	42	4.000	110	-	-	93.0	42.2	609.00	608.00
1110	82,500	9 320	2,250	1.625	42	4.500	120	-	-	120.0	54.4	923.00	930.00
1120	121,000	13 700	2,025	2.375	61	5.000	140	-	-	180.0	81.2	1755.00	1611.00
1130	176,000	19 900	1,800	2.625	67	6.000	170	-	-	270.0	121.0	3375.00	3568.00
1140	253,000	28 600	1,650	2.625	67	7.250	200	-	-	394.0	177.8	6306.00	6431.00
1150	352,000	39 800	1,500	4.250	108	8.000	215	-	-	523.0	237.2	-	-
1160	495,000	55 900	1,350	4.750	121	9.000	240	-	-	720.0	326.5	-	-
1170	660,000	74 600	1,225	5.250	134	10.000	280	-	-	1022.5	463.7	-	-
1180	915,200	103 000	1,100	6.000	153	11.000	300	-	-	1341.7	608.5	-	-
1190	1,210,000	137 000	1,050	6.000	153	12.000	335	-	-	1710.0	775.5	-	-
1200	1,650,000	186 000	900	7.000	178	13.000	360	-	-	2330.0	1057.1	-	-
1210	2,200,000	249 000	820	7.000	178	14.000	390	-	-	3140.0	1425.0	-	-
1220	2,970,000	336 000	730	8.000	203	15.000	420	-	-	3935.0	1785.0	-	-
1230	3,850,000	435 000	680	8.000	203	16.000	450	-	-	5000.0	2265.0	-	-
1240	4,950,000	559 000	630	10.000	254	17.000	480	-	-	6500.0	2950.0	-	-
1250	6,600,000	746 000	580	10.000	254	18.500	-	-	-	8450.0	3833.0	-	-
1260	8,250,000	932 000	540	10.000	254	20.000	-	-	-	10320.0	4680.0	-	-



GR Series Horizontal Grid Couplings



Size	OAL		L	G		LTB		OD		HD	
	in	mm	in	in	mm	in	mm	in	mm	in	mm
1020	3.88	98.50	2.62	0.118	3.0	1.87	47.5	4.00	101.6	1.56	39.7
1030	3.88	98.5	2.69	0.118	3.0	1.87	47.5	4.33	110.0	1.94	49.2
1040	4.12	104.7	2.75	0.118	3.0	2.00	50.8	4.63	117.5	2.25	57.2
1050	4.88	123.8	3.18	0.118	3.0	2.37	60.3	5.43	138.0	2.63	66.7
1060	5.12	130.0	3.68	0.118	3.0	2.50	63.5	5.93	150.5	3.00	76.2
1070	6.12	155.5	3.80	0.118	3.0	3.00	76.2	6.37	161.9	3.44	87.3
1080	7.12	180.8	4.55	0.118	3.0	3.50	88.9	7.64	194.0	4.13	104.9
1090	7.88	200.0	4.80	0.118	3.0	3.87	98.4	8.39	213.0	4.87	123.7
1100	9.69	246.1	6.12	0.177	4.5	4.75	120.6	9.84	250.0	5.59	142.0
1110	10.19	258.7	6.36	0.177	4.5	5.00	127.0	10.63	270.0	6.31	160.3
1120	12.00	304.8	7.54	0.236	6.0	5.87	149.2	12.13	308.0	7.06	179.4
1130	13.00	330.2	7.68	0.236	6.0	6.37	161.9	13.62	346.0	8.56	217.5
1140	14.63	371.6	7.91	0.236	6.0	7.20	182.8	15.12	384.0	10.00	254.0
1150	14.65	372.1	10.69	0.236	6.0	7.20	182.9	17.84	453.1	10.60	269.2
1160	15.85	402.6	10.96	0.236	6.0	7.80	198.1	19.74	501.4	12.00	304.8
1170	17.25	437.1	12.10	0.236	6.0	8.50	215.9	22.30	566.4	14.00	355.6
1180	19.05	483.9	12.64	0.236	6.0	9.40	238.8	24.80	629.9	15.50	393.7
1190	20.65	524.5	12.80	0.236	6.0	10.20	259.1	26.60	675.6	17.20	436.9
1200	22.25	565.1	14.00	0.236	6.0	10.98	279.4	29.80	756.9	19.60	497.8
1210	24.50	622.3	17.00	0.500	13.0	12.00	304.8	33.25	844.5	21.00	533.4
1220	26.10	663.0	19.30	0.500	13.0	12.80	325.1	36.25	920.7	22.50	571.5
1230	27.70	703.6	21.50	0.500	13.0	13.60	345.4	39.50	1003.4	24.00	609.6
1240	29.50	749.3	25.50	0.500	13.0	14.50	368.3	42.80	1087.1	25.50	647.7
1250	32.10	815.4	27.50	0.500	13.0	15.80	401.3	46.50	1181.1	28.00	711.2
1260	34.50	876.4	30.00	0.500	13.0	17.00	431.8	49.64	1260.9	30.00	762.0